



San Clemente[™]
Honeycomb Shades & Faux Wood Blinds

PROGRAM REFERENCE GUIDE

Revision Log

Date	Revision
<p>Effective 11/19/2025</p>	<p>Honeycomb Shades: <u>Pg. 4:</u> Updated the Cordless TDBU drawing.</p>
<p>Effective 4/30/2025</p>	<p>Honeycomb Shades: <u>General Update:</u> Discontinued current colors and G1 San Clemente.</p>
<p>Effective 3/1/2025</p>	<p>Honeycomb Shades: <u>General Update:</u> Added 10 new colors for G2 San Clemente (*Shades with G1 discontinuing colors and G2 new colors cannot be selected in the same order.) Updated rail profiles, handle and bracket designs Updated inside mount deductions Updated depth requirement for inside mount flush mount Updated color coordination chart Added optional pole and attachment for cordless</p>
<p>9/27/2024</p>	<p>Faux Wood Blinds: Revised terminology number labels</p>
<p>12/1/2023</p>	<p>Honeycomb Shades: Updated default rail & bracket color for Misty Gray fabric.</p>
<p>2/15/2023</p>	<p>Faux Wood Blinds: Update ladder and inner cord standard qty. Update depth requirement for Inside Mount. Change "Inside Mount" to "Semi-IB".</p>
<p>1/5/2023</p>	<p>Honeycomb Shades: Update standard IM shade width deduction</p>
<p>8/5/2022</p>	<p>Honeycomb Shades: Updated Cordless TDBU product image Updated Handle Hardware QTY for TDBU shades <u>General Update:</u> Effective immediately, TDBU shades will be provided with 2 handles for both the middle rail and bottom rail.</p>
<p>6/1/2022</p>	<p>Honeycomb Shades: Cordless TDBU operating pole in 36" and 60", and pole attachment options now available</p>



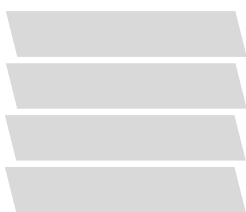


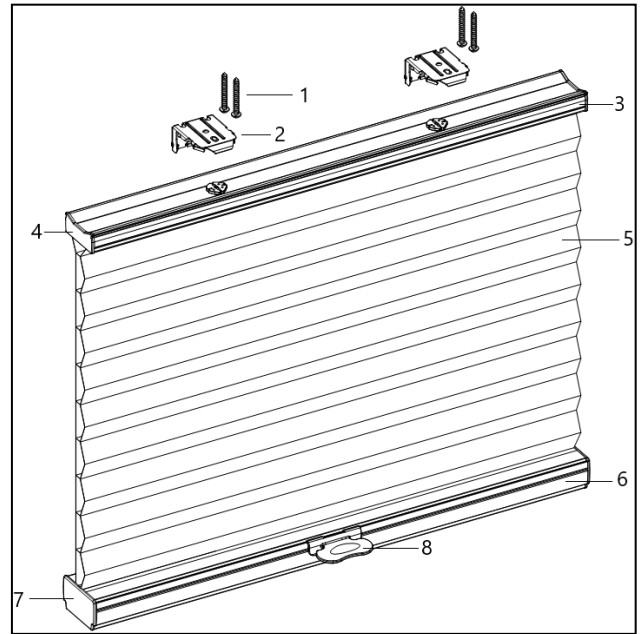
Table of Contents

		Page
	Honeycomb Shades	
	Terminology	4
	General Specifications	5
	Inside Mount Depth Requirements	6
	Color Availability/Coordination	7
	Hardware and Accessories	8
	Faux Wood Blinds	
	Terminology	9
	General Specifications	10 – 11
	Inside Mount Depth Requirements	12
	Color Availability/Coordination	12
	Parts and Hardware	13

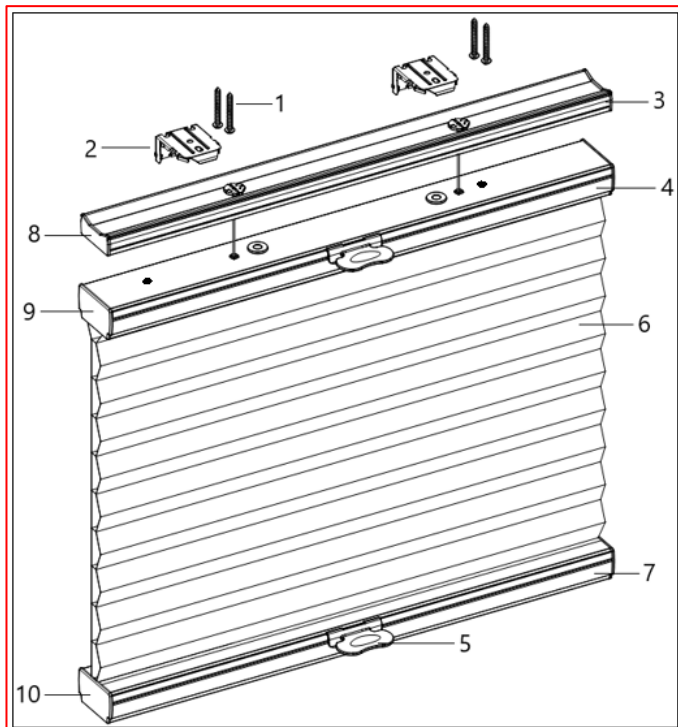
Terminology

Cordless Honeycomb Shade 9/16" Single Cell

Description	
1	Installation Bracket Screw
2	Installation Bracket
3	PVC Headrail
4	Headrail End Cap
5	Fabric
6	PVC Bottom Rail
7	Bottom Rail End Cap
8	Handle



Cordless TDBU Honeycomb Shade 9/16" Single Cell



Description	
1	Installation Bracket Screw
2	Installation Bracket
3	PVC Headrail
4	Middle Rail
5	Handle
6	Fabric
7	PVC Bottom Rail
8	Headrail End Cap
9	Middle Rail End Cap
10	Bottom Rail End Cap

General Specifications

Size Considerations

Single Shade	Min Width (Net)	Max Width (Net)	Min Height	Max Height
Cordless / Cordless TDBU	12" *	72"	42"	96" *

*Minimum shade width is 20" when the shade height is ≥ 90 ".

Standard deductions:

Inside Mount:

Shade Width = Order Width – 3/8"

Shade Width: Measure shade from left to right

Shade Height = Order Height

Outside Mount: *No deductions*

Shade Width = Order Width

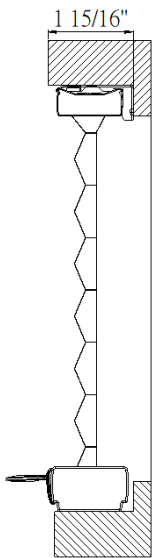
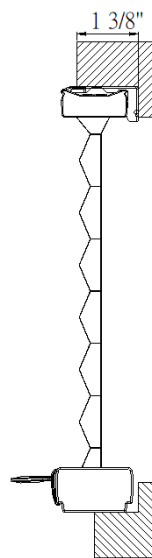
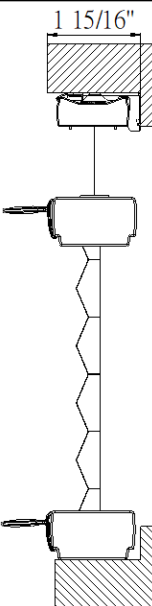
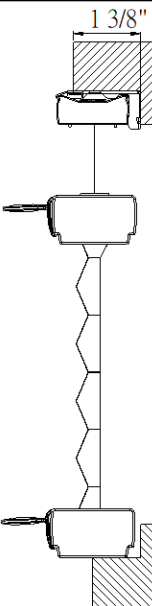
Shade Height = Order Height

Tolerance:

Shade width may vary $\pm 1/8$ "

Shade height may vary from +3/4" ~ +3" *

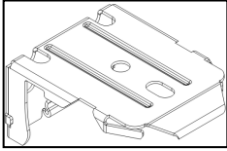
Inside Mount Depth Requirements

Lift System	Flush Mount IB Depth Required	Semi-Inside Mount Depth Required
	1 15/16"	1 3/8"
Cordless		
Cordless TDBU		

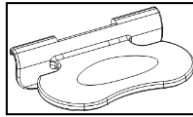
Color Availability & Color Coordination

Fabric / Opacity	No.	Color Code	Color Name	Rail / End Caps / Cover Color (Standard)	Installation Bracket Color (Standard)	Cord Color (Cordless TDBU only)	Lift Systems	
							Cordless	Cordless TDBU
Light Filtering	1	C7015K	Brilliant White	20110 Day Glow	3058 White	T001 White	✓	✓
	2	C7515K	White Cream	2513 Morning Ivory	3579 Nature	5020 Alabaster	✓	✓
	3	C7423K	Natural Tan	2513 Morning Ivory	3579 Nature	5020 Alabaster	✓	✓
	4	C7137K	Power Gray	2116 Silver Gray	3107 Silver	5107 Silver	✓	✓
	5	C7140K	Orion Gray	2116 Silver Gray	3107 Silver	5107 Silver	✓	✓
Room Darkening	6	C4008T	Brilliant White RD	20110 Day Glow	3058 White	T001 White	✓	✓
	7	C4517T	White Cream RD	2513 Morning Ivory	3579 Nature	5020 Alabaster	✓	✓
	8	C4420T	Natural Tan RD	2513 Morning Ivory	3579 Nature	5020 Alabaster	✓	✓
	9	C4125T	Power Gray RD	2116 Silver Gray	3107 Silver	5107 Silver	✓	✓
	10	C4127T	Orion Gray RD	2116 Silver Gray	3107 Silver	5107 Silver	✓	✓

Hardware



Installation Bracket



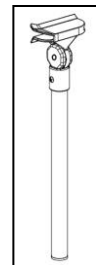
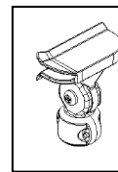
Handle

System	Order Width (X)	Parts QTY
Cordless & Cordless TDBU (Installation Bracket)	X < 27"	2
	27" ≤ X ≤ 60"	3
	X > 60"	4
Cordless (Handle for the bottom rail; Color: Transparent)	All widths	1
Cordless TDBU (Handle for the middle rail & bottom rail; Color: Transparent)	All widths	2 (1 for middle rail & 1 for bottom rail)

Accessories

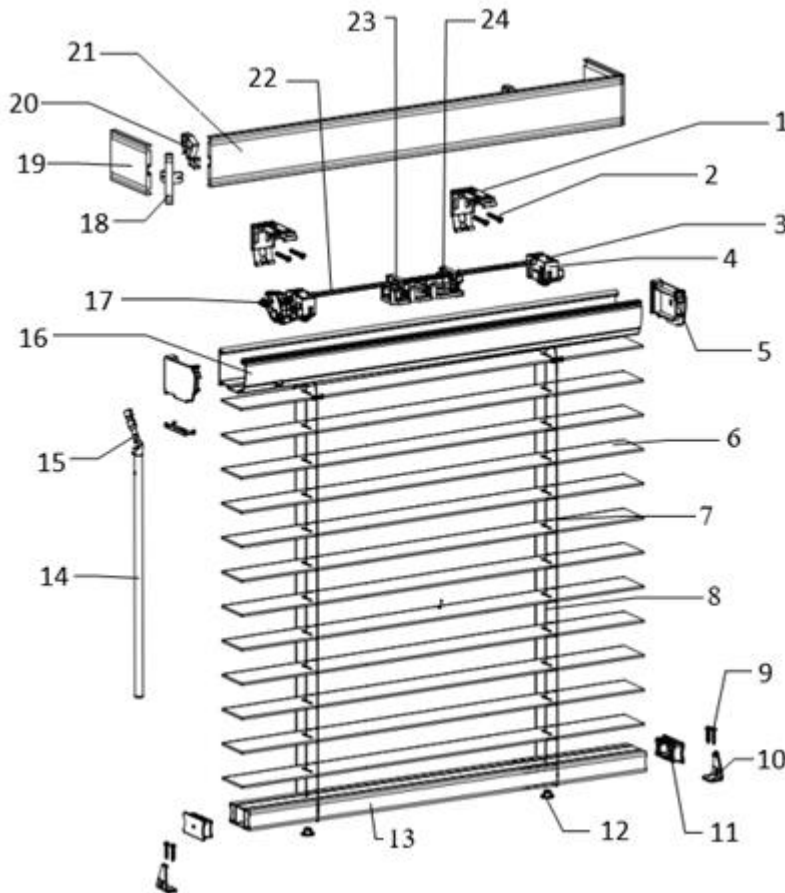
Pole with Attachment (36" & 60") and Pole Attachment are available for San Clemente Cordless and San Clemente Cordless TDBU Honeycomb shades.

Pole Attachment	Color: White Pole not included. Compatible with telescopic poles sold at hardware stores. (max 2 per shade)
Pole with Attachment	Sizes: 36" or 60" Pole & attachment color: Black *Pole holder included (clear) (max 2 per shade)



Terminology

2" Cordless Faux Wood Blind Polydeco Headrail with Wand Tilt



Description					
1	Installation Bracket	9	Screw for Hold Down Bracket	17	Wand tilter
2	Screws for Installation Bracket	10	Hold Down Bracket	18	Valance Return Joinery
3	Drum	11	Bottom Rail End cap	19	Valance Return
4	Drum Support	12	Bottom Rail Button	20	Valance Clip
5	Headrail End Cap	13	Bottom Rail	21	Valance
6	Slat	14	Wand	22	Shaft
7	Ladder Cord	15	Wand Rod	23	Spring Support
8	Cord	16	PolyDeco Headrail	24	Spring Box

General Specifications

Size Considerations

Single blind	Min Width (Net)	Max Width (Net)	Min Height	Max Height
Top/Back Mount	20"	72"	24"	84"
Side Mount	20"	37"	24"	84"

* Side mount brackets are available for all widths (IB). For widths over 37" top mount brackets are required and will be provided to be used in conjunction with side mount brackets.

- Standard Deductions:

Inside Mount: Order Width – 3/8" = Finished Blind Width

Outside Mount: Order Width = Finished Blind Width (No Deductions)

- Tolerance:

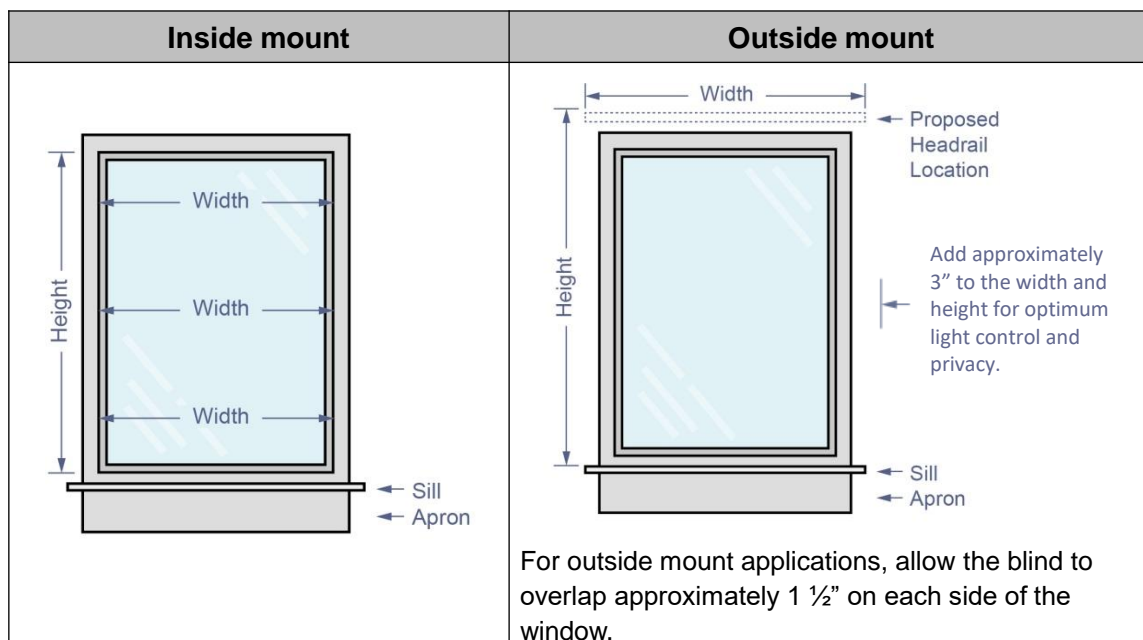
Blind width (Net) may vary $\pm 1/8$ "

Blind height may vary up to 1 3/4" in an open position

- Measurements:

Blind width: Measure from the left end to the right end of the slat.

Blind height: Lower the blind completely, then measure from the top of the headrail to the bottom of the bottom rail with slats in an open position.



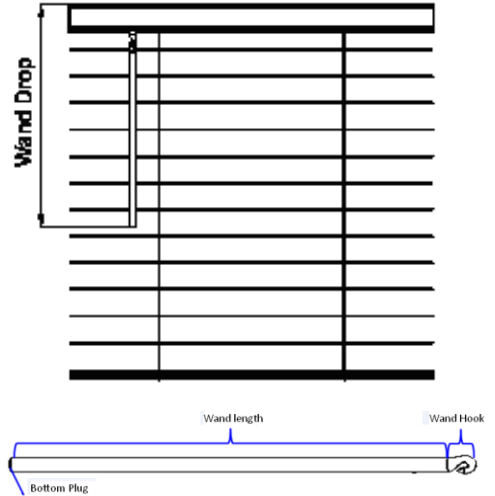
General Specifications

Wand Drop Standard

- **Wand drop** includes the entire wand length, plus the headrail height.
- Wand sizes come in the following standard sizes based on the blind size. Optional wand sizes are not available.

Net Blind Width (X)	Blind Length	Wand Drop
$X < 21"$	$Y \leq 84"$	22 3/8"
$21" \leq X \leq 24"$		22 3/8" or 27 3/8"
$24" < X < 29"$		27 3/8"
$29" \leq X \leq 34 \frac{1}{2}"$		27 3/8" or 32 3/8"
$34 \frac{1}{2}" < X < 35 \frac{1}{2}"$		32 3/8"
$35 \frac{1}{2}" \leq X \leq 72"$	$Y < 72"$	32 3/8"
	$Y = 72"$	32 3/8" or 38 3/8"
	$72" < Y \leq 84"$	38 3/8"

Wand drop tolerance is approx. $\pm \frac{1}{2}"$



Control Position

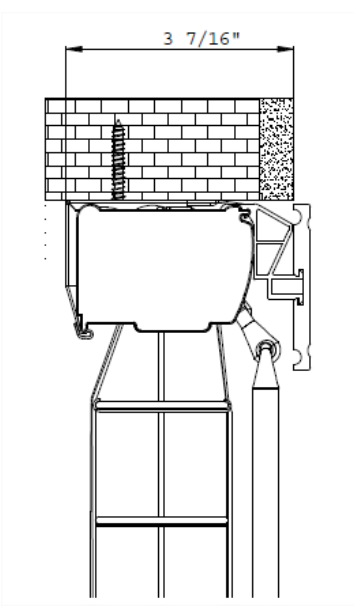
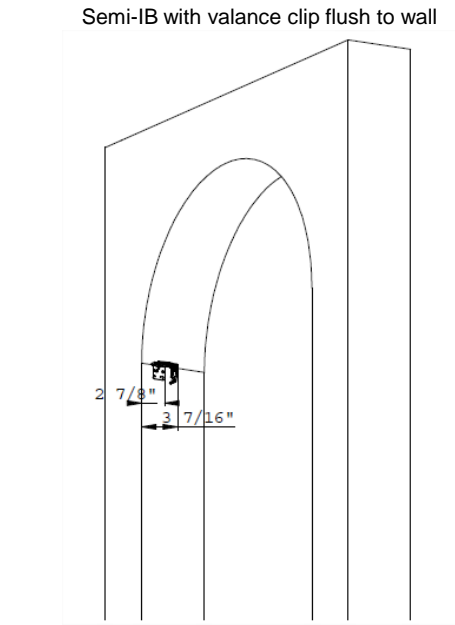
Wand Location
Standard Left

Ladder and Inner Cord Quantity Standard

Blind Width (X)	# of Ladders	# of Inner Cords
$20" \leq X \leq 20.875"$	2	2
$20.875" < X \leq 24"$	2 or 3	2
$24" < X \leq 32.875"$	3	2
$32.875" < X \leq 36"$	3 or 4	2 or 4
$36" < X \leq 41.875"$	4	4
$41.875" < X \leq 46"$	4 or 5	3 or 4
$46" < X \leq 59.875"$	5	3
$X = 60"$	5 or 6	3 or 4
$60" < X \leq 72"$	6	4

Note: The number of ladders and inner cords may vary for blinds with larger widths.

Inside Mount Depth Requirements

	Flush	Side Mount ($X \leq 37''$)
2" Slat	3 7/16"	
		<p>Semi-IB with valance clip flush to wall</p> 

*Side mount is for Inside Mount only

Color Availability/Coordination

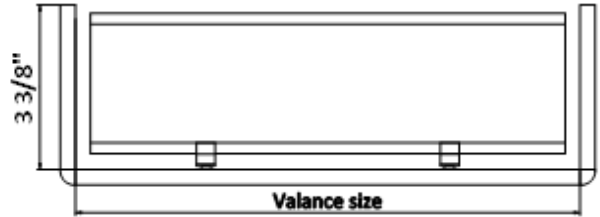
- Available in **White** only

Color Blind/Valance	Finish	Headrail / Bottom Rail / Wand / Valance Return Joinery	Ladder & Cord	Installation Bracket	End Cap & Bottom Rail Button
6008 White	Embossed	2001 Pure White	T001 White	3058 White	2037 Snow White

Parts and Hardware

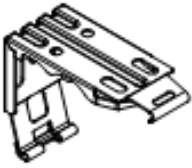



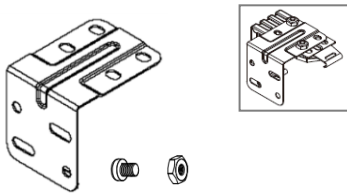
Valances (Standard)

Return Size (Inner Dimension)		Valance Size (Inner Dimension)
Semi-IB	3 3/8"	Order Width + 1/8" <i>(Order Width - 3/8" deduction + 1/2")</i>
OB	3 3/8"	Order width + 1/2"



- Valances and valance returns will be flush cut. Standard 3/8" returns included for both Semi-IB & OB

Blind Width (X)	Installation Bracket	Side Mount Supporting Set	Valance	Valance Return	Valance Clip	Valance Return Joinery	Hold Down Bracket
$X \leq 37"$	2	2	1	2	2	2	2
$37" < X \leq 47"$	3	N/A	1	2	3	2	2
$47" < X < 60"$	4	N/A	1	2	3	2	2
$60" \leq X \leq 72"$	4	N/A	1	2	4	2	2

Installation Bracket		1 1/4" Screw (for Installation bracket)	
Hold Down Bracket (Included on all blinds)		3/4" Screw (for Hold down bracket)	
Side Mount Supporting Bracket (Optional)		Wand	